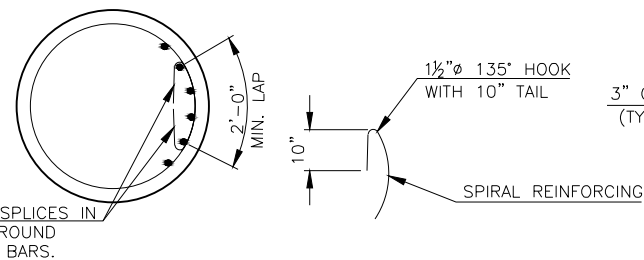
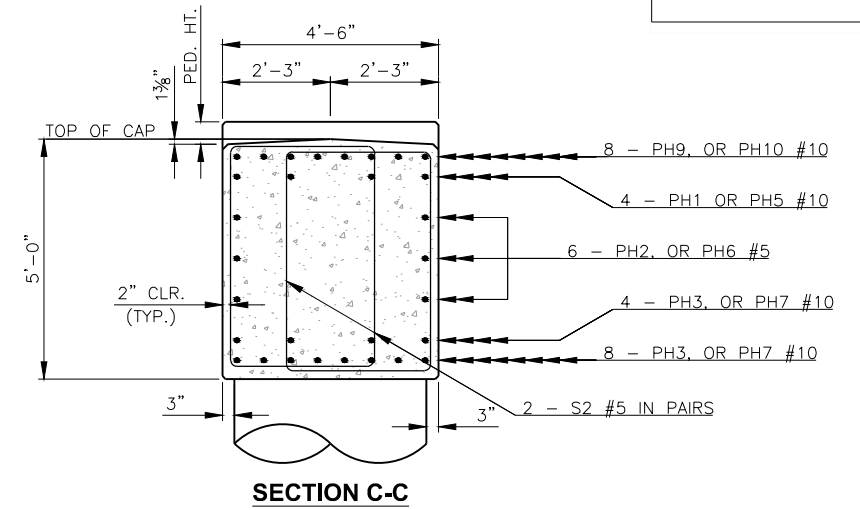
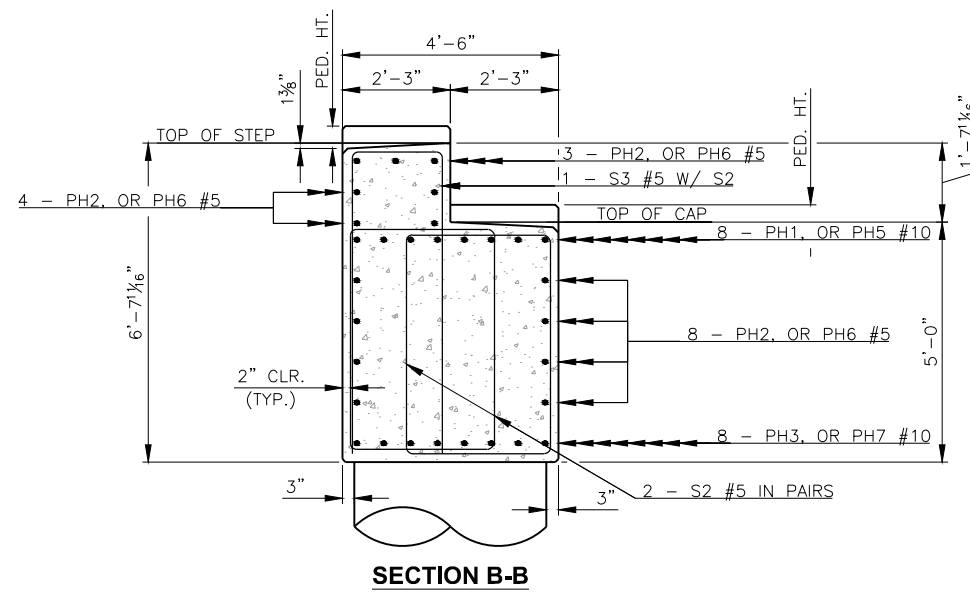
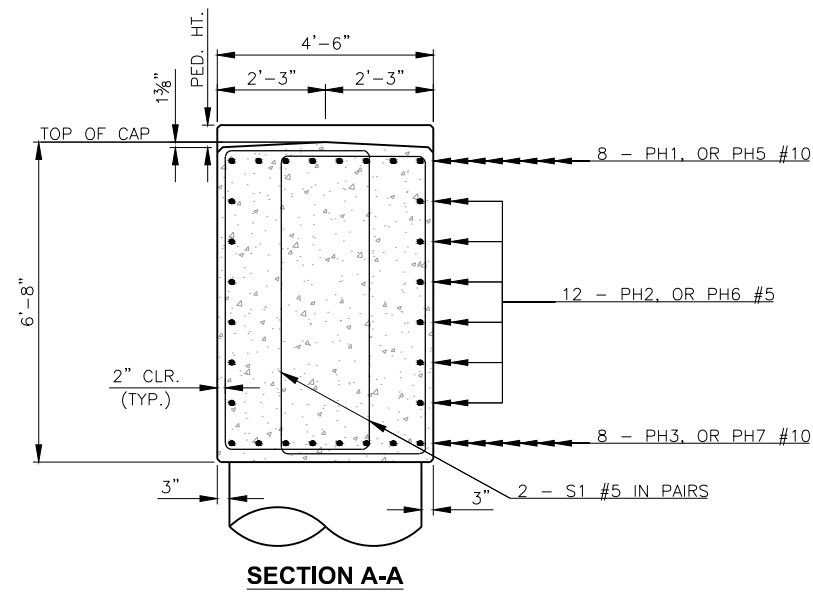
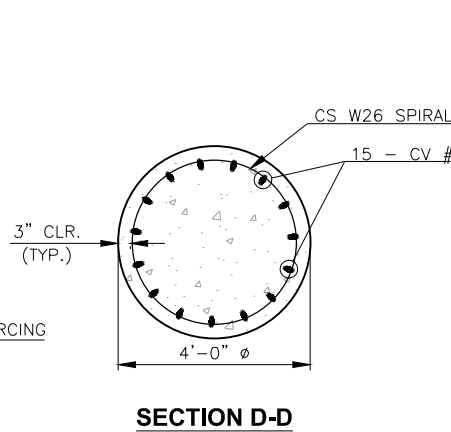


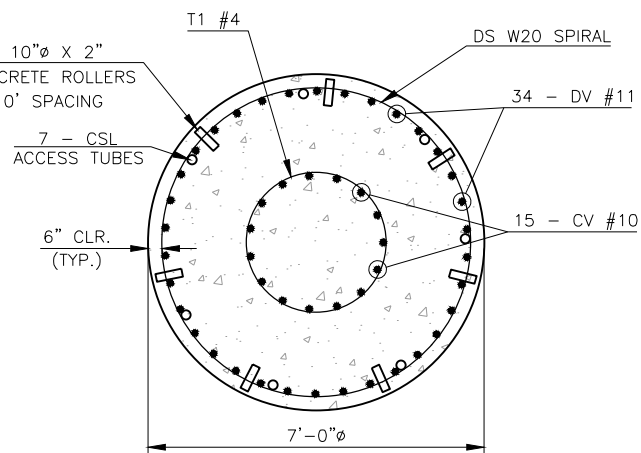
DESCRIPTION	REVISIONS	DATE



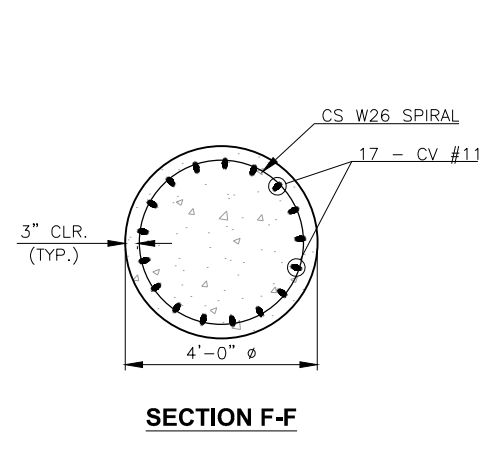
SPIRAL REINFORCING SPLICE DETAIL



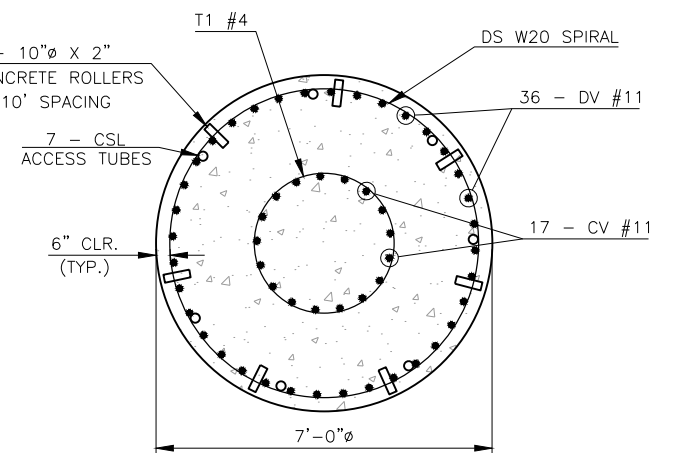
SECTION D-D



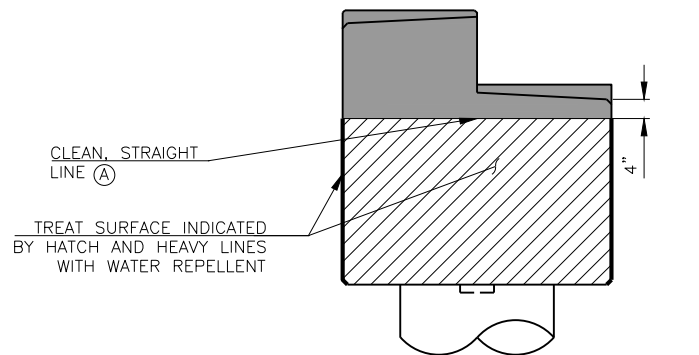
SECTION E-E



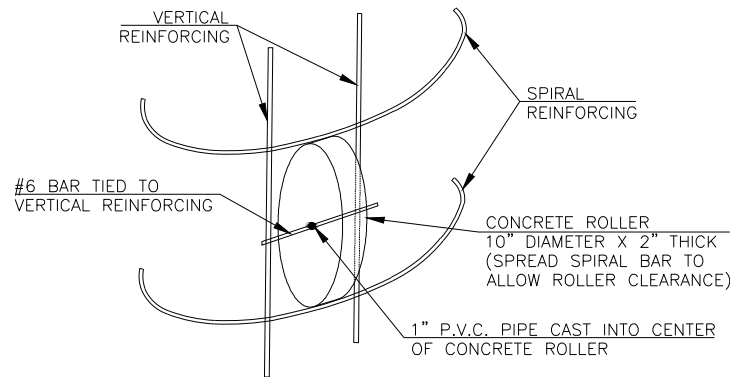
SECTION F-F



SECTION G-G



WATER REPELLENT AND CIM 1000 TREATMENT DETAIL



DRILLED SHAFT ROLLER DETAIL

NOTE:
CONCRETE USED IN THE CONCRETE ROLLER SHALL HAVE A MINIMUM 28 DAY COMPRESSION STRENGTH OF 4,000 PSI. SLAB BOLSTERS, HIGH CHAIRS, OR PLASTIC ROLLERS SHALL NOT BE SUBSTITUTED FOR THE CONCRETE ROLLERS.

(A) APPLY CIM 1000, OR APPROVED EQUAL, TO TOP AND SIDES OF PEDESTALS AND STEPS, TOP OF PIER CAP, AND TO AN ELEVATION 4" DOWN FROM THE LOW EDGE OF PIER CAP. EDGES OF THE COATING SHALL BE MASKED WITH TAPE PRIOR TO APPLICATION TO ENSURE CLEAN, STRAIGHT LINES ARE OBTAINED. REMOVE COATING FROM ANY SURFACE OUTSIDE OF THE AREAS INDICATED IN THE PLANS. DO NOT APPLY WATER REPELLENT ON SURFACES PRIOR TO APPLICATION OF CIM 1000. THE DEPARTMENT WILL NOT PAY FOR WATER REPELLENT ON SURFACES TREATED WITH CIM 1000. INCLUDE ALL COSTS FOR MATERIALS, LABOR, EQUIPMENT, AND INCIDENTALS NECESSARY TO COMPLETE THE WORK IN THE CONTRACT UNIT PRICE OF "SPECIAL CONCRETE FINISH".

PIERS 3-6 COLUMN AND DRILLED SHAFT TABLE						
PIER	TOP OF CAP ELEV.	TOP OF SHAFT ELEV.	BOTTOM OF SHAFT ELEV.	DRILLED SHAFT LENGTH	COLUMN LENGTH	MIN. SHAFT EMBED.
3	763.46	735.96	659.96	76'-0"	22'-6"	14'-0"
4	765.86	735.86	660.86	75'-0"	25'-0"	14'-0"
5	768.27	735.77	667.77	68'-0"	27'-6"	14'-0"
6	770.68	735.68	713.68	22'-0"	30'-0"	12'-0"

PIER QUANTITIES - PHASE I								
	UNIT	PIER NO. 1	PIER NO. 2	PIER NO. 3	PIER NO. 4	PIER NO. 5	PIER NO. 6	TOTAL
(B) SPECIAL CONCRETE FINISH	S.Y.	17	28	17	17	17	17	113
CLASS A CONCRETE	C.Y.	45.7	44.0	42.8	45.2	47.5	49.8	275.0
MECHANICAL SPLICES	EA.							
REINFORCING STEEL	LB.	1,570	1,700	1,870	2,040	2,210	2,380	11,770
EPOXY COATED REINFORCING STEEL	LB.	9,650	10,110	14,200	14,650	15,100	15,200	78,910
WATER REPELLENT (VISUALLY INSPECTED)	S.Y.	38.7	28.5	28.5	28.5	28.5	28.5	181.2
DRILLED SHAFTS 84" DIAMETER	L.F.	156	152	152	150	136	44	790
CROSSHOLE SONIC LOGGING	EA.	1	1	1	1	1	1	6

PIER QUANTITIES - PHASE II								
	UNIT	PIER NO. 1	PIER NO. 2	PIER NO. 3	PIER NO. 4	PIER NO. 5	PIER NO. 6	TOTAL
(B) SPECIAL CONCRETE FINISH	S.Y.	12	20	12	12	12	12	80
CLASS A CONCRETE	C.Y.	29.1	27.4	26.2	27.4	28.5	29.7	168.3
MECHANICAL SPLICES	EA.	16	16	24	24	24	24	128
REINFORCING STEEL	LB.	780	850	940	1,020	1,110	1,190	5,890
EPOXY COATED REINFORCING STEEL	LB.	5,650	5,990	8,100	8,320	8,550	8,600	45,210
WATER REPELLENT (VISUALLY INSPECTED)	S.Y.	28.9	21.3	21.3	21.3	21.3	21.3	135.4
DRILLED SHAFTS 84" DIAMETER	L.F.	78	76	76	75	68	22	395
CROSSHOLE SONIC LOGGING	EA.							

(B) QUANTITY PROVIDED FOR THE APPLICATION OF CIM 1000 OR APPROVED EQUAL.

DESIGN	M.R.S.	SH-48 OVER CIMARRON RIVER	CREEK COUNTY
DRAWN	E.B.R.		
CHECKED	B.J.K.		
APPROV.	B.J.K.		
SQUAD	CEC		

PIER SECTIONS